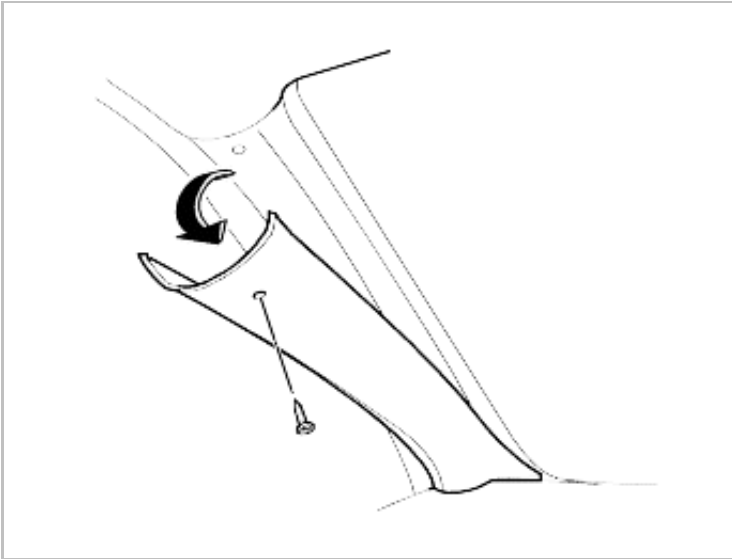


REMOVAL AND INSTALLATION

FRONT PILLAR TRIM

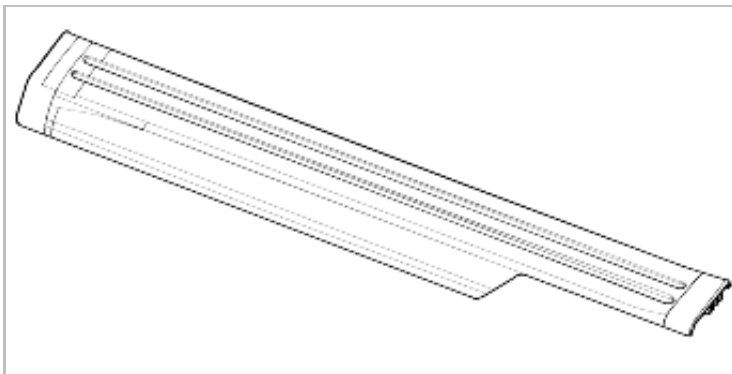
1. Remove front pillar trim.



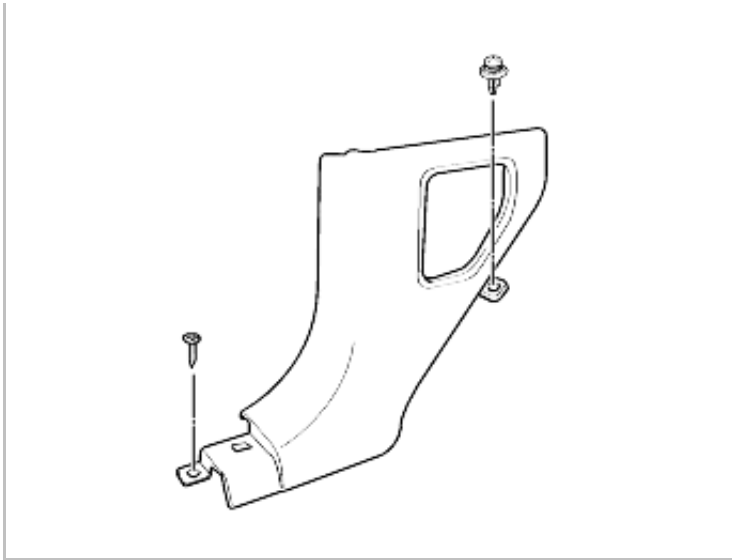
- (1) Remove screw(1) and cover.
- (2) Remove front pillar trim.

COWL SIDE TRIM

1. Remove cowl side trim.
 - (1) Remove front door scuff trim.

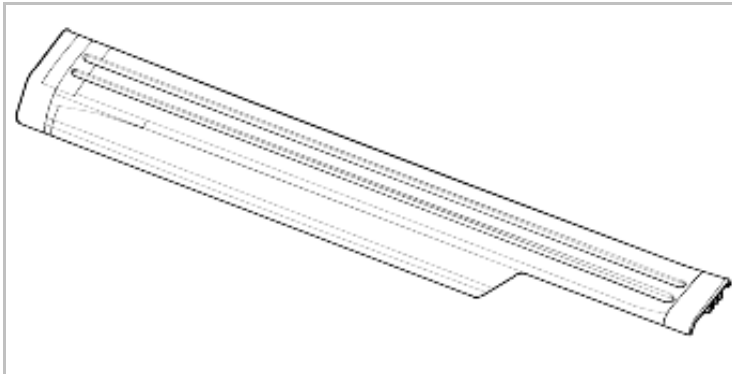


- (2) Remove cowl side trim fastener and screw.

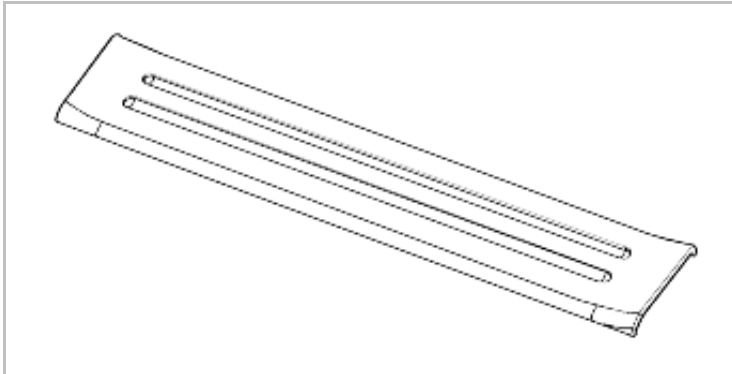


CENTER PILLAR TRIM

1. Remove center pillar lower trim.
 - (1) Remove front door scuff trim.

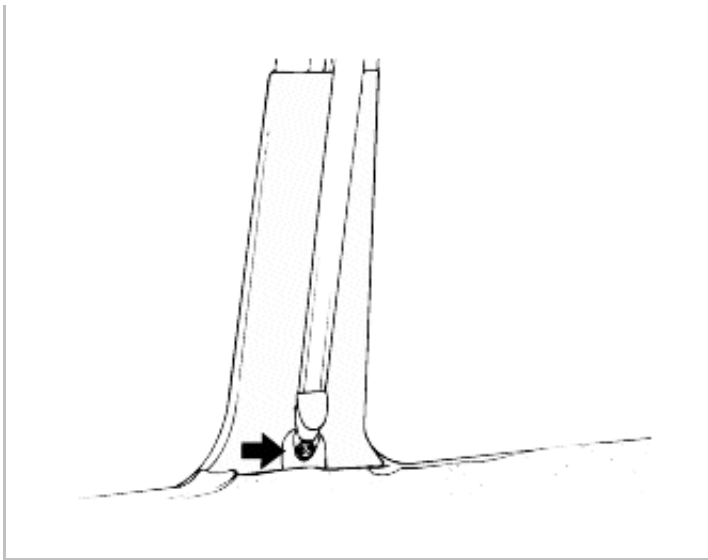


- (2) Remove rear door scuff trim.

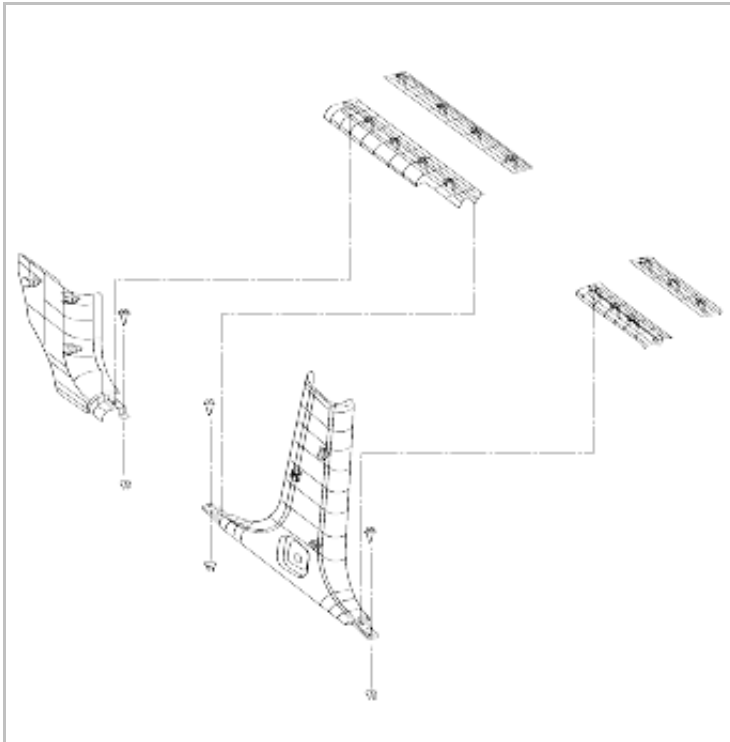


- (3) Remove seat belt lower anchor bolt (1).

Tightening torque :
40-55 N·m (4.0-5.5 kg·m, 29-40 lb·ft)



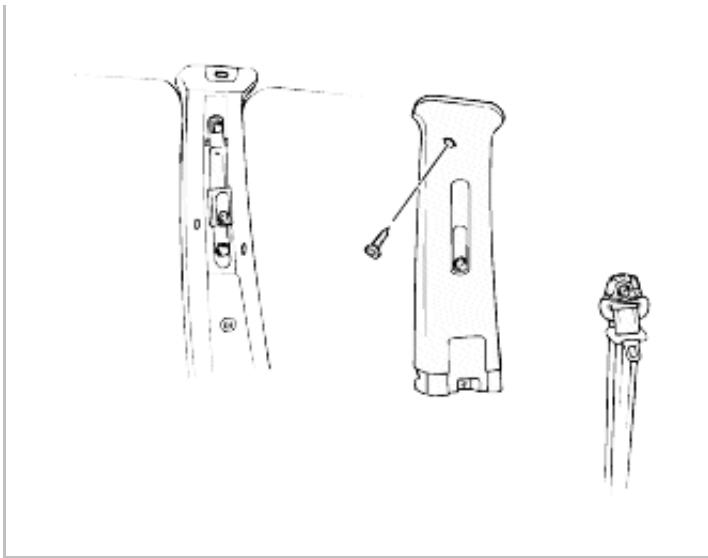
(4) Remove center pillar lower trim screws (2).



2. Remove center pillar upper trim.

(1) Remove seat belt upper anchor bolt (1).

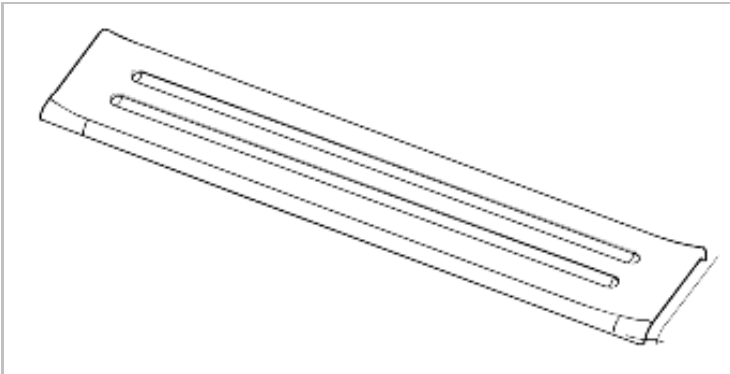
Tightening torque :
40-55 N·m (4.0-5.5 kg·m, 29-40 lb·ft)



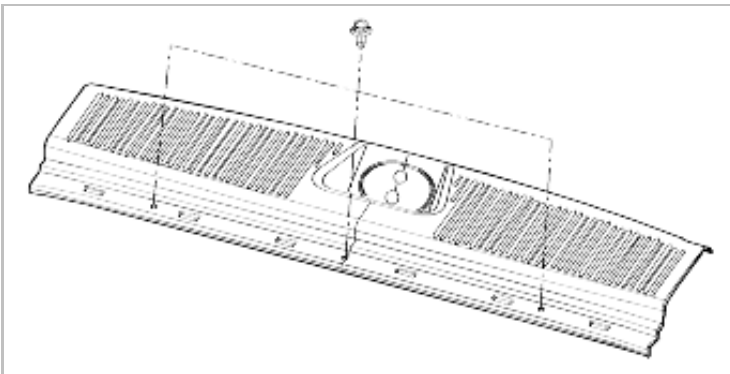
(2) Remove B pillar upper trim screws (2) and cover.

REAR SIDE TRIM

1. Remove rear door scuff trim.



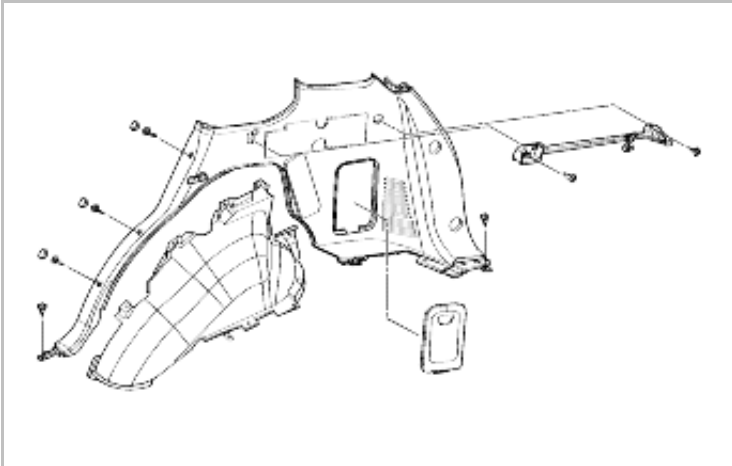
2. Remove transverse trim.



3. Remove D pillar trim.



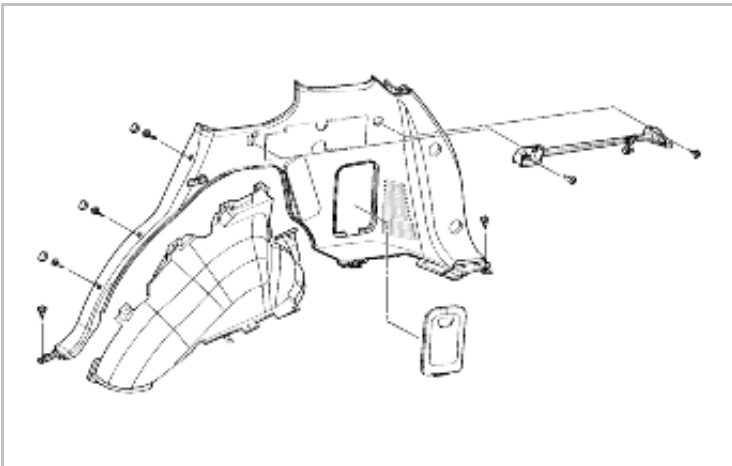
4. Remove hanger net.
5. Remove rear side trim.



- (1) Remove rear side trim screws (5).
- (2) Remove rear package side garnish screws (2).
- (3) Remove rear package side garnish.
- (4) Disconnect electrical connector.

C PILLAR TRIM

1. Remove seat belt lower anchor bolt (1).
2. Remove rear side trim.



3. Remove C pillar trim.
 - (1) Remove seat belt anchor bolt (1)
 - (2) Remove C pillar trim screws (3) and cover.
 - (3) Remove seat belt cover.

