

RADIO

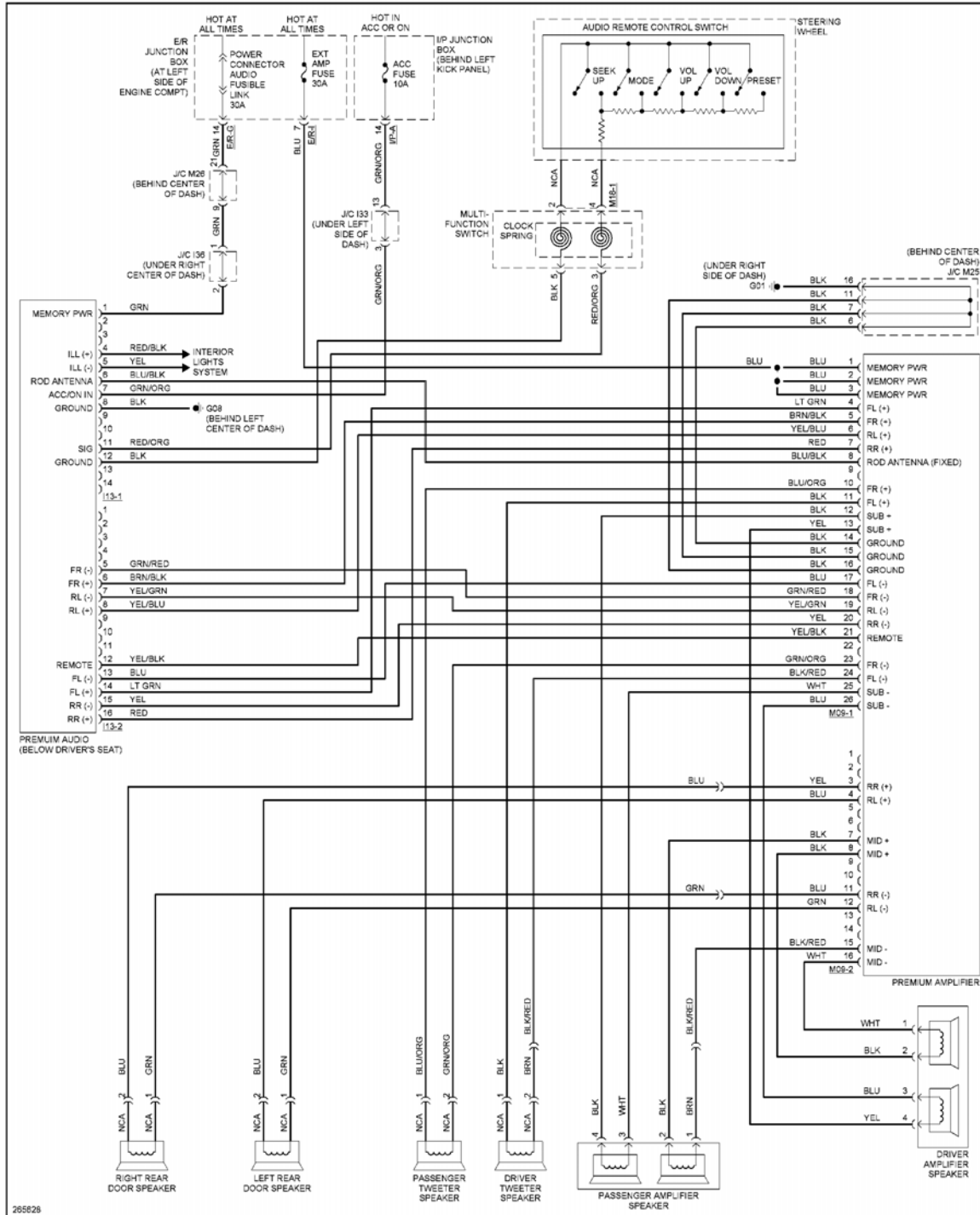


Fig. 45: Radio Circuit